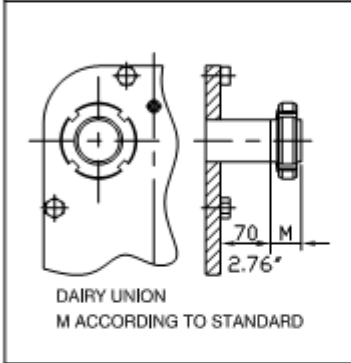
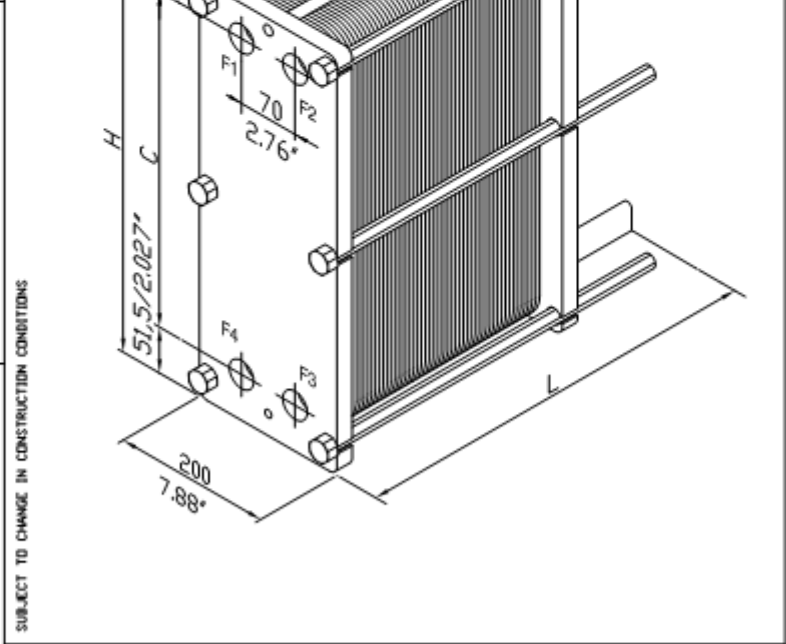
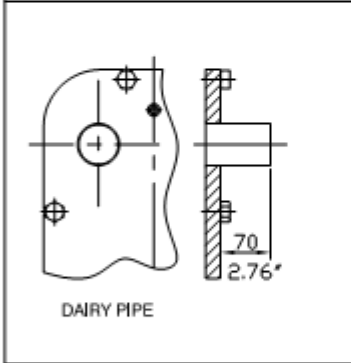


MOUNTING



FRAME



FRAME SIZE	DIMENSION H	DIMENSION C
S4a	473/18.62'	381/15'
S8a	748/29.45'	656/25.83'



PLATE HEAT EXCHANGER GROUP:  
**S4a / S8a - FG / IG PN16**

DWG. FILE NO.:	DRAWN:	DATE:	REV. NR.:
S4a-S8a-FG-IG-PN16	BTD	22.04.08 lgk	6