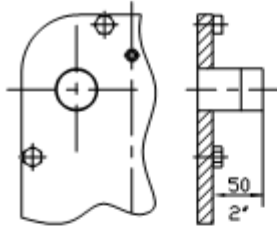
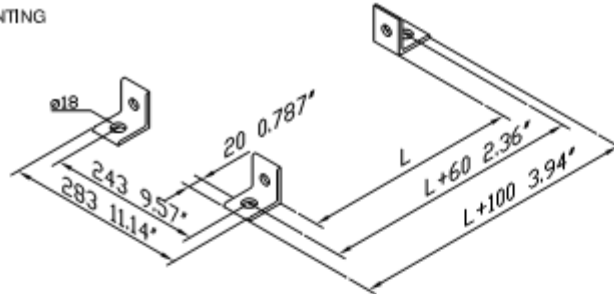


CONNECTIONS:

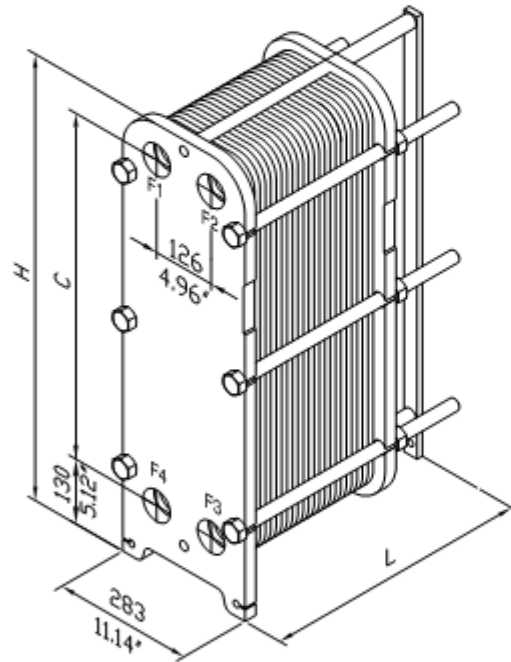


THREADED PIPE

MOUNTING



FRAME



SUBJECT TO CHANGE IN CONSTRUCTION CONDITIONS

FRAME SIZE	DIMENSION H	DIMENSION C
S7 / S7a	596/23.42"	394/15.51"
S14 / S14a / S15	896/35.28"	694/27.32"
S20 / S20a	1096/43.15"	894/35.20"



SONDEX

Jernet 9
DK-6000 Kolding

PLATE HEAT EXCHANGER GROUP

S7 / S7a / S14 / S14a / S15 / S20 / S20a - ST PN16

DWG. FILE NO.:	DRAWN:	DATE:	REV. NR.:
S7a-S14a-S20a-ST-PN16	BTD	22.04.08	7