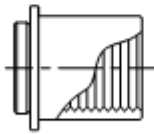
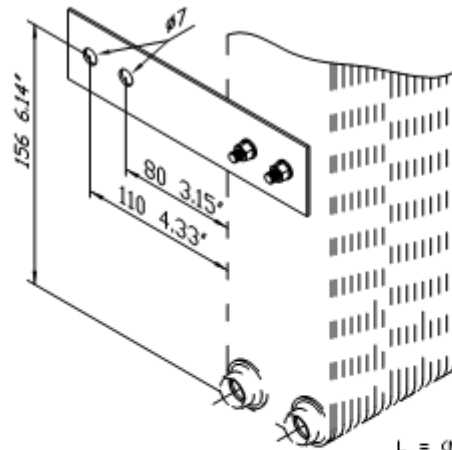
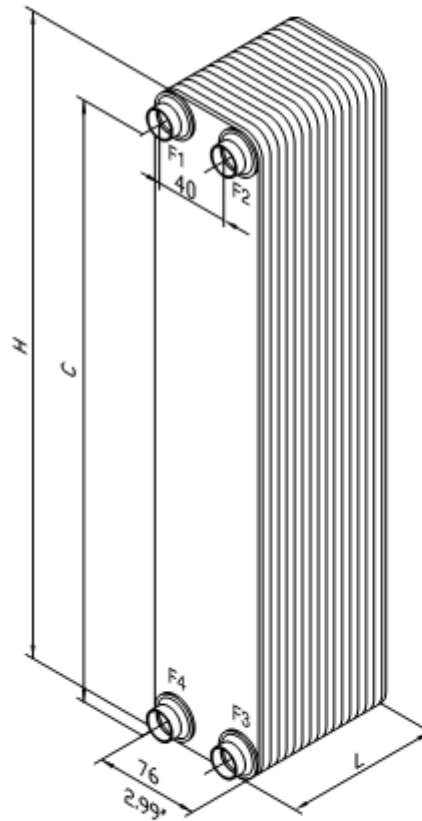


MOUNTING

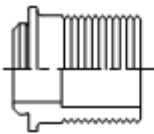


G1 : G 1/2 (ISO7 - R 1/2 [1/2 BSP])

FRAME



SUBJECT TO CHANGE IN CONSTRUCTION CONDITIONS



A : G 3/4 (ISO7 - R 3/4 [3/4 BSP])
STANDARD/Ø18,2

H : 3/4 NPT STANDARD/Ø18,2

FRAME SIZE

DIMENSION H

DIMENSION C

SL23

315/12.40"

278/10.94"

PLATE HEAT EXCHANGER GROUP:

SL23



SONDEX

Jernet 9
DK-6000 Kolding

DWG. FILE NO.:
SL23

DRAWN:
AS

DATE:
13.11.08 JKD

REV. NR.:
7